

- ① Compressor
- ② External fan condenser
- ③ Filter
- ④ Thermostatic valve
- ⑤ Set of hinges and door collets
- ⑥ Micro door
- ⑦ Cell probe
- ⑧ Evaporator
- ⑨ Evaporator probe
- ⑩ Electronic card with display LCD
- ⑪ External fan condenser
- ⑫ Frontal panel
- ⑬ Internal carter fan support
- ⑭ Door gasket
- ⑮ Foot adjustable in height
- ⑯ Rack
- ⑰ Grid
- ⑱ Basin for condensation
- ⑲ Condenser
- ⑳ Door
- ㉑ 5 grids e 5 guide pairs
- ㉒ Condensation tank resistance
- ㉓ Back panel for indirect airflow
- ㉔ Electronic control membrane

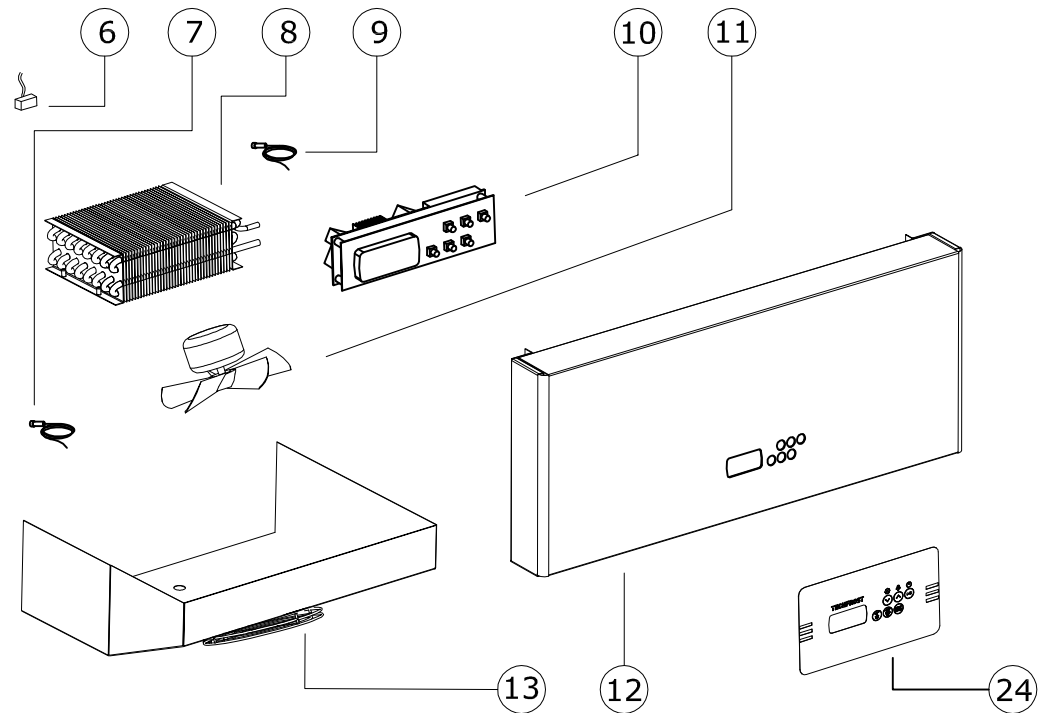
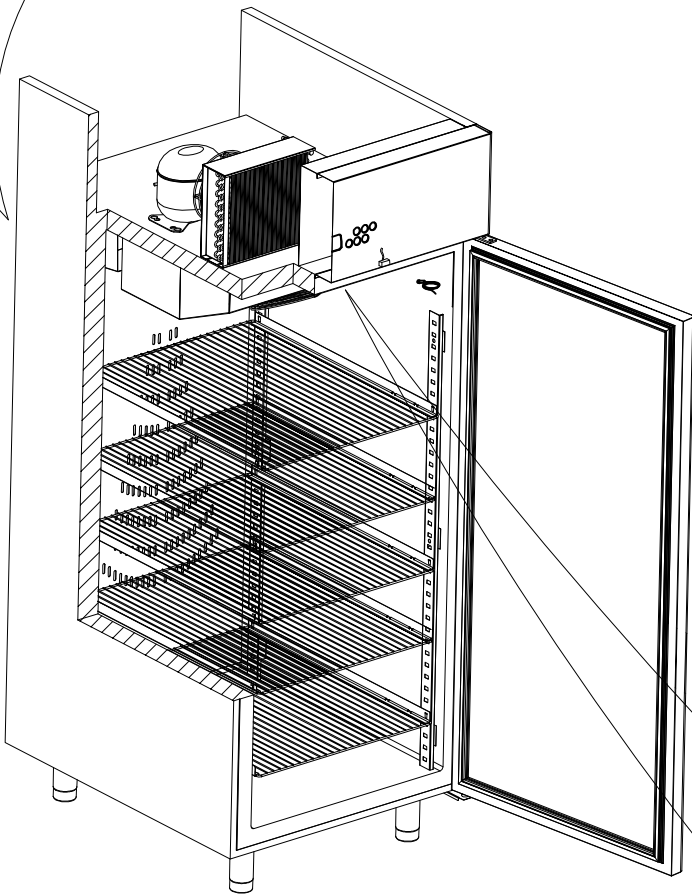
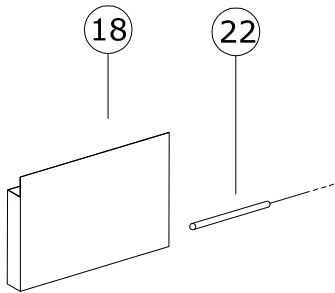


Serie: EG 80 PLUS

Cod: 590C0111

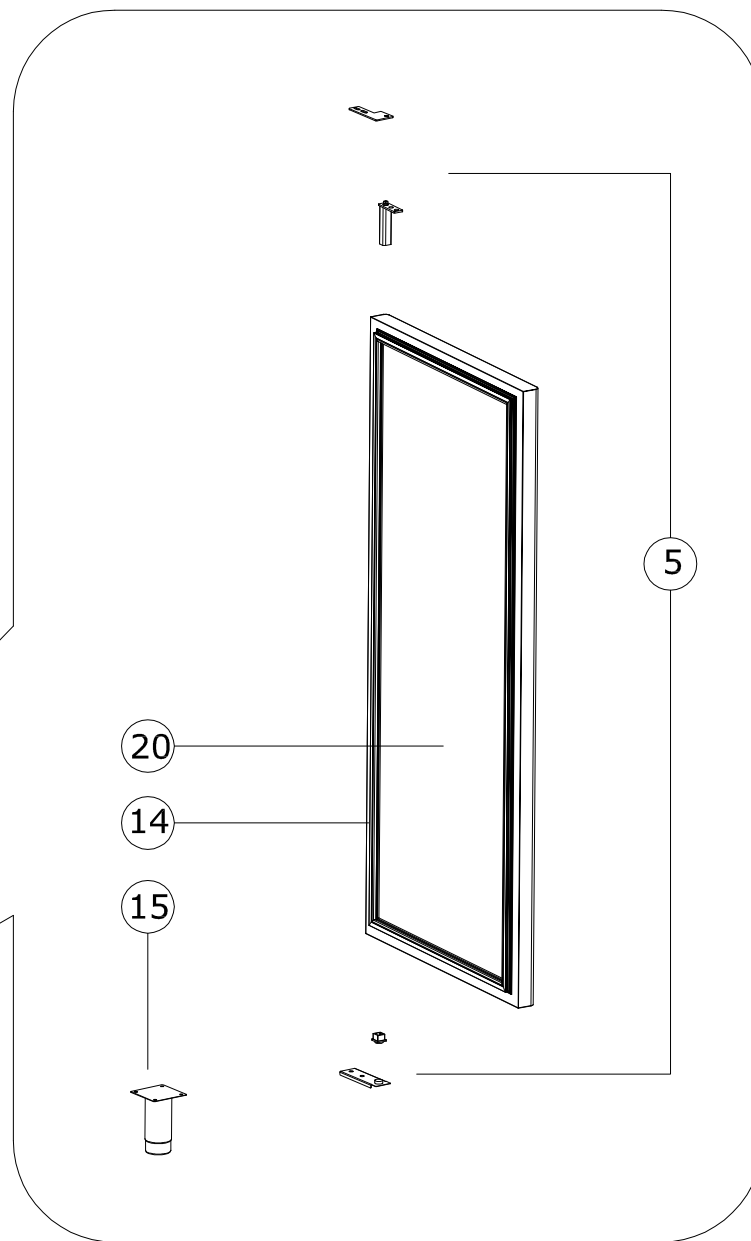
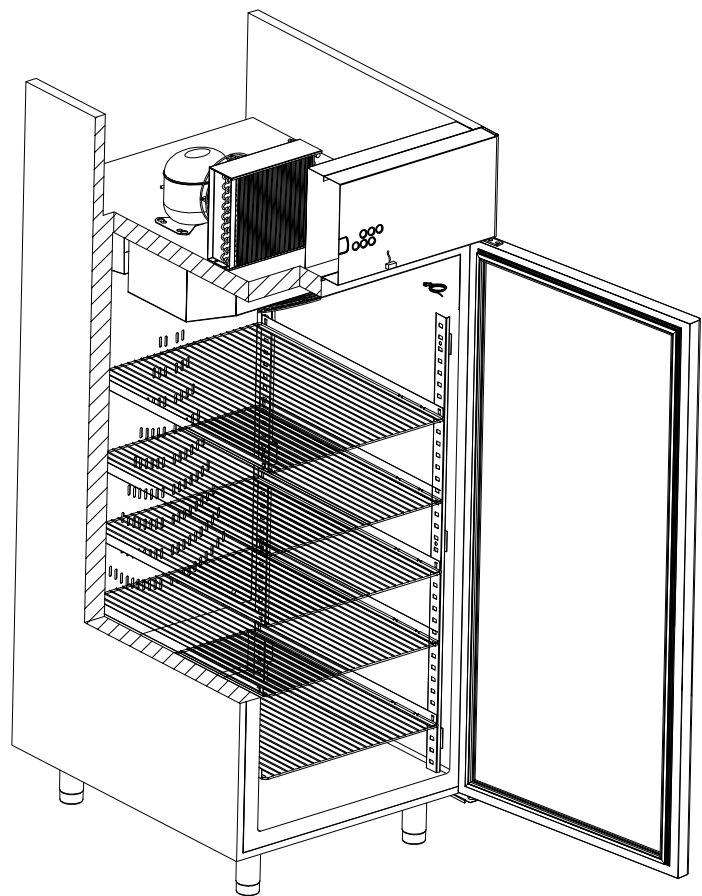
Data: 21/09/20

via Cd'Vico, 38/a - Rossano Vito (VI)
tel. 0424/549081 fax 0424/543042
WWW.TECHFROST.COM
Techfrost@Techfrost.com



Serie: EG 80 PLUS
Cod: 590C0111
Data: 21/09/20

via Cd'Vico, 38/a - Rossano Vito (VI)
 tel. 0424/549081 fax 0424/543042
 WWW.TECHFROST.COM
 Tecnico@Techfrost.com

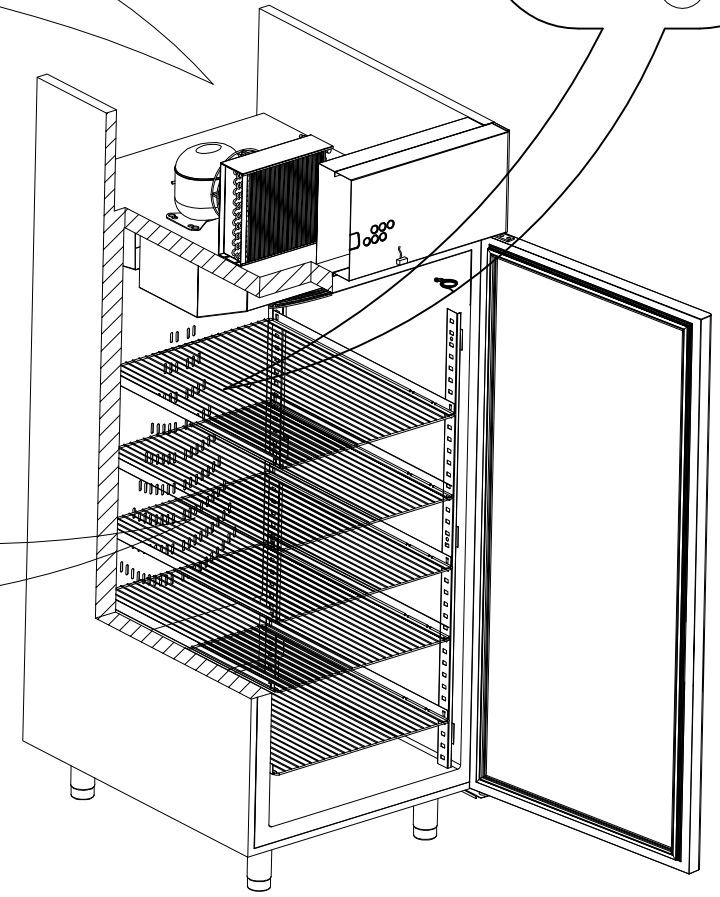
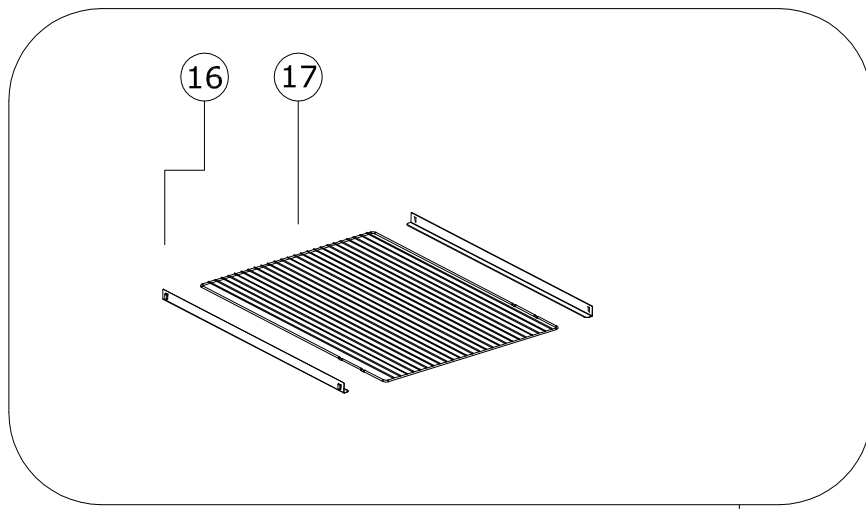
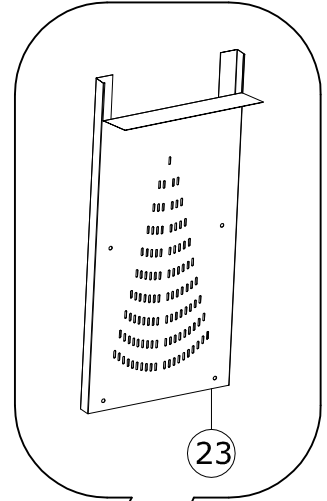
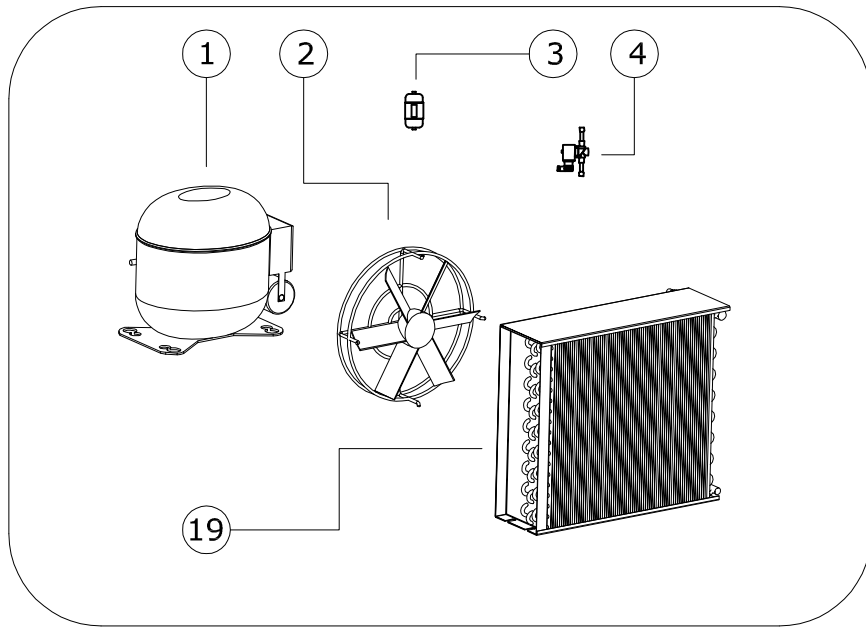


Serie: EG 80 PLUS

via Cd'Vico, 38/a - Rossano V. (VI)
tel. 0424/549081 fax 0424/543042
WWW.TECHFROST.COM
Techfrost@Techfrost.com

Cod: 590C0111

Data: 21/09/20



21